

FAIRBANKS®

WEIGHING SOLUTIONS FOR THE WORLD

• CHEMICAL • FOOD AND BEVERAGE • SCRAP AND RECYCLING • MANUFACTURING • PHARMACEUTICAL • TEXTILE



AEGIS® DRUM SCALES AEGIS® TRANSPORT SCALES



GREAT FOR WEIGHING DRUMS, PALLETS, TOTES AND OTHER INDUSTRIAL BULK PRODUCTS.

VISIT OUR WORLD TODAY: WWW.FAIRBANKS.COM

Aegis® Drum Scale

Customize this scale with pillar, ramp(s) and Instrument.

Fairbanks new Aegis® Drum Scale is not just for weighing drums. Its live side rails make it ideal for weighing a number of other industrial containers such as pallets, totes and bulk products. In fact, Fairbanks designed this scale with precision and a host of options to change your expectation of how

a drum scale should look and perform. Choose from two platform sizes, mild or stainless steel construction, and one of four capacities. Add ramps and a pillar to create your ideal configuration, or add a wheel kit if the scale will require periodic relocation.

- **Stationary**
- **Live side rails**
- **Stainless steel load cells**
- **Low 1.5" profile**
- **NTEP and MC approved**

Easy to Customize

Build an Aegis Drum Scale to fit your specific application.



1. First, choose capacity, platform size, and mild or stainless steel construction.

2. Then add optional stand-alone pillar, ramp(s) or ramp with integral pillar and a Fairbanks instrument.



3. You can also opt for an Aegis® Drum Scale Wheel Kit.

Wheel Kit includes portability base and integral pillar with push handle. Aegis Drum Scale and instrument sold separately.



Choose from a variety of Fairbanks Instruments to fit your specific application need. Shown with FB 2200 Instrument.



Scale is available in stainless steel for washdown applications.

Shown with 2300 Series Instrument.



Live side rails are ideal for weighing pallets, totes and other bulk products.



IP67-rated load cells come standard on all mild steel models. IP69K-rated load cells optional.



IP69K-rated load cells (standard on all stainless models) eliminate spill and washdown concerns.

Platform sizes: 30" x 30" and 38" x 38"

Questions? Contact your local Fairbanks sales representative or Fairbanks Authorized

Aegis® Transport Scale

Portable accuracy for drum and general industrial weighing.

www.fairbanks.com

Fairbanks' Aegis® Transport Scale's built-in, two-wheel design allows for easy portability — just tilt the scale back and move it to the next location. Combine the Transport with a Fairbanks battery-powered instrument for the most portable scale available.

Fairbanks' Aegis Transport design is totally unique to the drum scale market. You won't find another manufacturer's drum scale that can compete with the Transport's level of portability, rugged design and precision accuracy.

- Portable
- Washdown option
- Live side rails
- Integrated pillar & ramp
- NTEP and MC approved

Easy to Transport

Choose from a variety of Fairbanks Instruments to fit your specific application need.
Shown with 2800 Instrument.

Easy grip handle with no-slip polyurethane coating.



Bubble level is located at the center of the weighing surface.



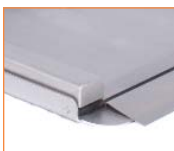
Washdown models feature drain hole and contiguous welds.



Large 8" diameter wheels with Polyolefin construction ensure smooth rolling action.



Low 1.5" platform height for easy load introduction.



Live side rail

Integral ramp



Relocate the Aegis Transport Scale in three simple steps.



1. Take hold of easy grip handle.

2. Use foot to leverage scale backward.



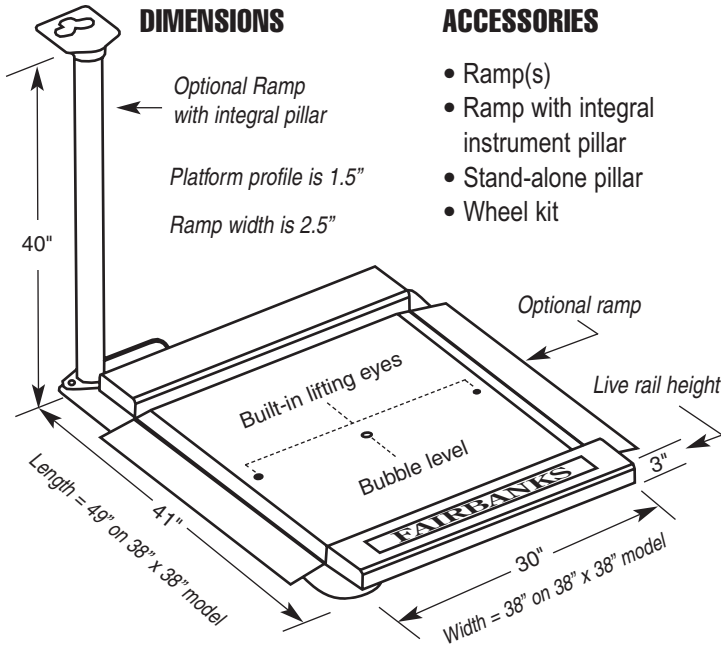
3. Scale easily rolls to desired location. Built-in break point prevents scale from rolling when lowering platform back to level.

Distributor for more information on Aegis® floor scale products.



Aegis® Drum Scales & Aegis® Transport Scales

BUILT TO WEIGH
DRUMS, PALLETS, TOTES &
OTHER INDUSTRIAL BULK PRODUCTS



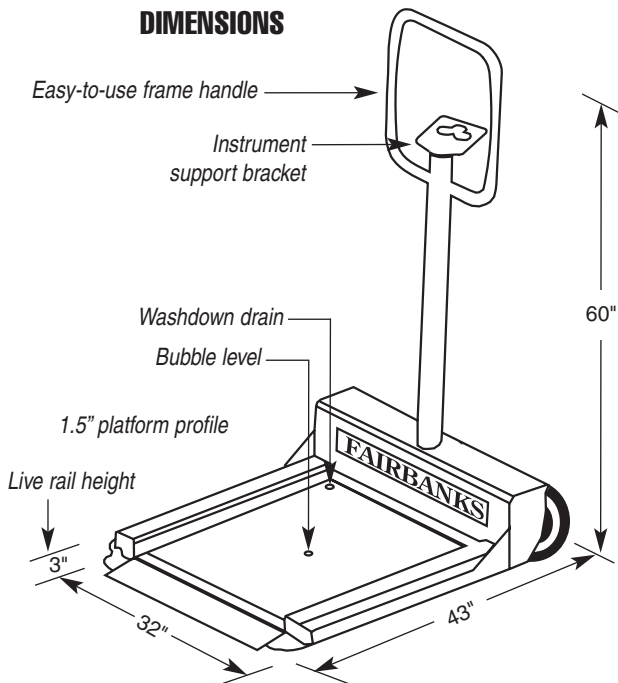
SPECIFICATIONS

AEGIS® DRUM SCALES

Capacities (lbs)	500, 1000, 2000, 2500
Platform	
Sizes	30" x 30" and 38" x 38"
Height	1.5" (3" live side rail)
Finish	Smooth plate
Endloading	100% of capacity all models except 2500 lb model, which is rated at 80%
Cable length	Platform to instrument = 30 feet
Cable protection	PVC jacketed
Construction	Mild steel with black, powder coat finish; Type 304 PH stainless steel, brushed
Approvals	NTEP CC# 08-044; MC #AM-5674

AEGIS® TRANSPORT SCALES

Capacities (lbs)	500, 1000, 2000, 2500
Overall dimensions	32" x 43" x 60"
Platform	
Size	24" x 30"
Height	1.5" (3" live side rail)
Finish	Smooth plate
Endloading	100% of capacity on all models except 2500 lb. capacity, which is rated at 80%
Cable length	Platform to instrument = 7 feet
Cable protection	PVC jacketed
Construction	Mild steel with black, powder coat finish; Type 304 PH stainless steel, brushed
Accessories	NEMA 4X J-box; intrinsically safe controller; IP69K load cells optional on mild steel scale
Approvals	NTEP CC# 08-044; MC #AM-5674



LOAD CELL (Drum & Transport Scales)

Capacity	500 and 1,000 lbs
Excitation voltage	5 to 15 VDC
Construction	17-4 PH stainless steel
Sealing	IP67 (mild steel scale) IP69K (stainless steel scale)
Approvals	Factory Mutual; NTEP CC# 06-065 (mild steel scale); NTEP CC# 04-102 (stainless scale)

Call toll-free for the representative nearest you:

(800) 451-4107

Call between 8:00 a.m. – 5:00 p.m. Central Time

Corporate Offices: 821 Locust • Kansas City, MO 64106 • (816) 471-0231

Internet Address: <http://www.Fairbanks.com>

