

CW-90X Over/Under Checkweigher Washdown**STANDARD FEATURES**

- Piezo keypad consisting of ZERO, UNITS, PRINT, TARE, OVER, UNDER, ID, TARGET, ENTER, MENU, POWER
- 304 stainless steel, IP69K rated indicator
- Prevent breather vent
- Storage for up to 50 ID's
- Unit of measure: kg, gm, lb, oz, lb/oz
- High-Intensity LED display
- Battery backed time and date
- Two full duplex RS-232 serial ports
- Configurable print formats
- Audit trail tracking
- Optional communications: Ethernet, USB or Fiber Optic
- Four configurable Digital I/O
- Reflash memory to upgrade firmware

Scale:

- IP69K, stainless steel hermetically sealed load cell
- 304 stainless steel
- Five point overload protection

APPROVALS

Measurement
Canada
Approved

**SPECIFICATIONS****Power-AC:**

Line voltages: 115/230VAC
Frequency: 50/60 Hz

Power Consumption:

1.5A @ 115VAC (8W),
0.75A @ 230VAC (8W)

Excitation Voltage:

+5VDC 8 x 350 Ω or
16 x 700 Ω load cells

Analog Signal Input Range:

-0.5 mV/V - 4.5 mV/V

Analog Signal Sensitivity:

0.3 uV/graduation minimum, 1.5 uV/
graduation recommended

Measurement Rate:

960, 480, 240, 120, 60, 30, 15, 7.5 per second

System Linearity:

+/- 0.01% full scale

Digital I/O:

4 channels on CPU board

Circuit Protection:

RFI, EMI, ESD protection

Display:

Large 0.8 in 14 segment, 6 digit high-intensity
red LED display

Status Annunciators:

Designators for %, kg, gm, lb, oz, center of zero, G/B,
N, T, PT, neg, motion

Operating Temperature:

Legal: 14°F to 104°F
(-10°C to +40°C)

Rating/Material:

IP69K, stainless steel

Display Resolution:

100,000 graduations maximum

Load Cell:

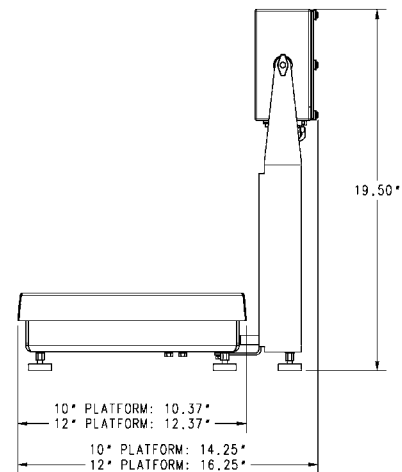
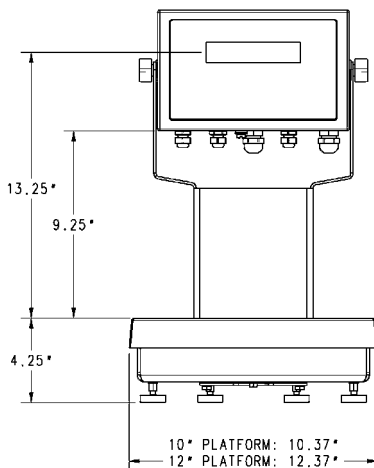
IP69K, stainless steel hermetically sealed

Warranty:

Three-year limited warranty

Approvals:

Indicator: NTEP CC 08-092, Class III/IIIL 10,000d
Measurement Canada AM-5710, Class III 10,000d
OIML R76/2006-GBI-10.02
TC GB-1385
TAC UK2900
UL and CUL listed
CE marked
Scale: NTEP CC 95-072, Class III 5,000d
Measurement Canada AM-5082, Class III 5,000d
NSF



CW-90X Over/Under Checkweigher Washdown**PART NUMBER/PRICE**

PART #	CAPACITY	PLATFORM DIMENSIONS	COLUMN HEIGHT	EST. SHIP WEIGHT	PRICE
115 VAC					
105963 †	5 x 0.001 lb (2.5 x 0.0005 kg) 80 x 0.02 oz	10 x 10 x 4.25 in	12 in	29 lb	Consult
105965 †	10 x 0.002 lb (5 x 0.001 kg) 160 x 0.05 oz	10 x 10 x 4.25 in	12 in	29 lb	Consult
105966 †	25 x 0.005 lb (10 x 0.002 kg) 400 x 0.1 oz	10 x 10 x 4.25 in	12 in	29 lb	Consult
105967 †	25 x 0.005 lb (10 x 0.002 kg) 400 x 0.1 oz	12 x 12 x 4.25 in	12 in	33 lb	Consult
105968 †	50 x 0.01 lb (25 x 0.005 kg) 800 x 0.2 oz	12 x 12 x 4.25 in	12 in	33 lb	Consult
105969 †	100 x 0.02 lb (50 x 0.01 kg) 1600 x 0.5 oz	12 x 12 x 4.25 in	12 in	33 lb	Consult
230 VAC CE marked/OIML approved					
106129 ††	3 x 0.001 kg	254 x 254 x 108 mm	305 mm	29 lb	Consult
106130 ††	6 x 0.002 kg	254 x 254 x 108 mm	305 mm	29 lb	Consult
106131 ††	15 x 0.005 kg	254 x 254 x 108 mm	305 mm	29 lb	Consult
106132 ††	15 x 0.005 kg	305 x 305 x 108 mm	305 mm	33 lb	Consult
106133 ††	30 x 0.01 kg	305 x 305 x 108 mm	305 mm	33 lb	Consult
106134 ††	60 x 0.02 kg	305 x 305 x 108 mm	305 mm	33 lb	Consult
230 VAC					
118899 †	2.5 x 0.0005 kg (5 lb x 0.001 lb) 80 x 0.02 oz	10 x 10 x 4.25 in	12 in	29 lb	Consult
118900 †	5 x 0.001 kg (10 lb x 0.002 lb) 160 x 0.05 oz	10 x 10 x 4.25 in	12 in	29 lb	Consult
118901 †	10 x 0.002 kg (25 lb x 0.005 lb) 400 x 0.1 oz	10 x 10 x 4.25 in	12 in	29 lb	Consult
118902 †	10 x 0.002 kg (25 lb x 0.005 lb) 400 x 0.1 oz	12 x 12 x 4.25 in	12 in	33 lb	Consult
118903 †	25 x 0.005 kg (50 lb x 0.01 lb) 800 x 0.2 oz	12 x 12 x 4.25 in	12 in	33 lb	Consult
118904 †	50 x 0.01 kg (100 lb x 0.02 lb) 1600 x 0.5 oz	12 x 12 x 4.25 in	12 in	33 lb	Consult



† NEMA 5-15 plug



†† CEE 7/7 plug

OPTIONS/ACCESSORIES

PART #	DESCRIPTION	PRICE
77142	Ethernet TCP/IP	Consult
108671	Wireless LAN card WiFi 802.11 A/B	Consult
93245	USB Port (PC connection only) cable included	Consult
95357	USB cable, Type A to mini-B, 1 meter	Consult
96736	Fiber optic board	Consult
78026	Fiber optic, duplex cable 100 ft	Consult
80892	Fiber optic cutter	Consult
117358	WeighVault™ (requires part number 77142 or 108671)	Consult

* To convert inches to millimeters: Multiply inch measurement by 25.4