

Now Includes:  
5 Year Parts & Lightning  
Protection Warranty

## SURVIVOR® SR

Low-Profile Siderail - Concrete Deck

Truck Scales



### STANDARD FEATURES

- 75,000lb capacity load cells and pre-assembled mounts
- Junction box(es) appropriate for number of load cells utilized
- NTEP Certified, CC 98-011A2
- 90,000lb Concentrated Load Capacity (CLC)
- Up to 200,000lb full scale capacity
- Span deflection ratio (1:3100) for legal highway loads
- 8in thick reinforced concrete deck
- Three standard widths: 11ft, 12ft and 14ft
- Up to 42ft section span

**Package includes:** Weighbridge steel; weighbridge fasteners; load cells with conduit fitting; load cell mounts with leveling bolts and anchor bolts; copper transient bypass cables at each load cell; poly-coated flexible steel conduit from load cell to metal conduit; conduit fittings from poly-coated flexible steel to metal conduit; FRP junction box(es); summing board; homerun cable to indicator (60ft long); print packages including deck assembly, foundation drawing (pier or floating slab) and rebar placement for deck concrete; along with detailed installation manual with truck loading/unloading diagram

**Package does not include:** Metal conduit on weighbridge for load cell cable runs; corrugated sheeting for deck; rebar for concrete deck; approach coping; foundation alignment posts; rebar and mesh for foundation; concrete; indicator; printer; freight charges including material handling, shipping charges, transportation permits and fees, escort(s) charge, and insurance transportation fees.

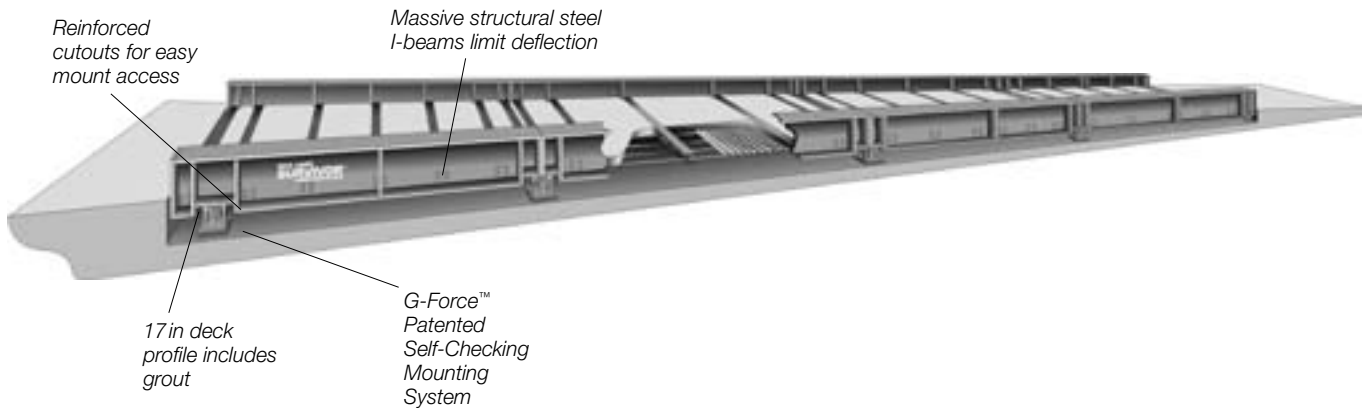
### APPROVALS



INTEGRATES WITH



**SURVIVOR**  
Durable performance  
measured not in years,  
but decades.



### SPECIFICATIONS

#### LOAD CELLS AND MOUNT ASSEMBLIES:

75,000lb capacity; G-Force™ Patented Self-Checking Mounting System

#### FULL SCALE CAPACITY:

Up to 200,000lb

#### DEFLECTION RATIO:

1:3100

#### CONCENTRATED LOAD CAPACITY (CLC):

90,000lb

#### APPROVALS:

NTEP Certified per H-44, Class III L, CC 98-011A2

#### WARRANTY:

Ten-year limited warranty on the weighbridge  
Five-year parts warranty, including lightning protection  
Please refer to Warranty Statements starting on page 53

**DUE TO THE VARIETY OF CONFIGURATIONS, PLEASE CONSULT THE FACTORY TO DISCUSS APPLICATION REQUIREMENTS AND FOR COMPLETE SPECIFICATIONS AND PRICE QUOTATIONS.**